

Atlas

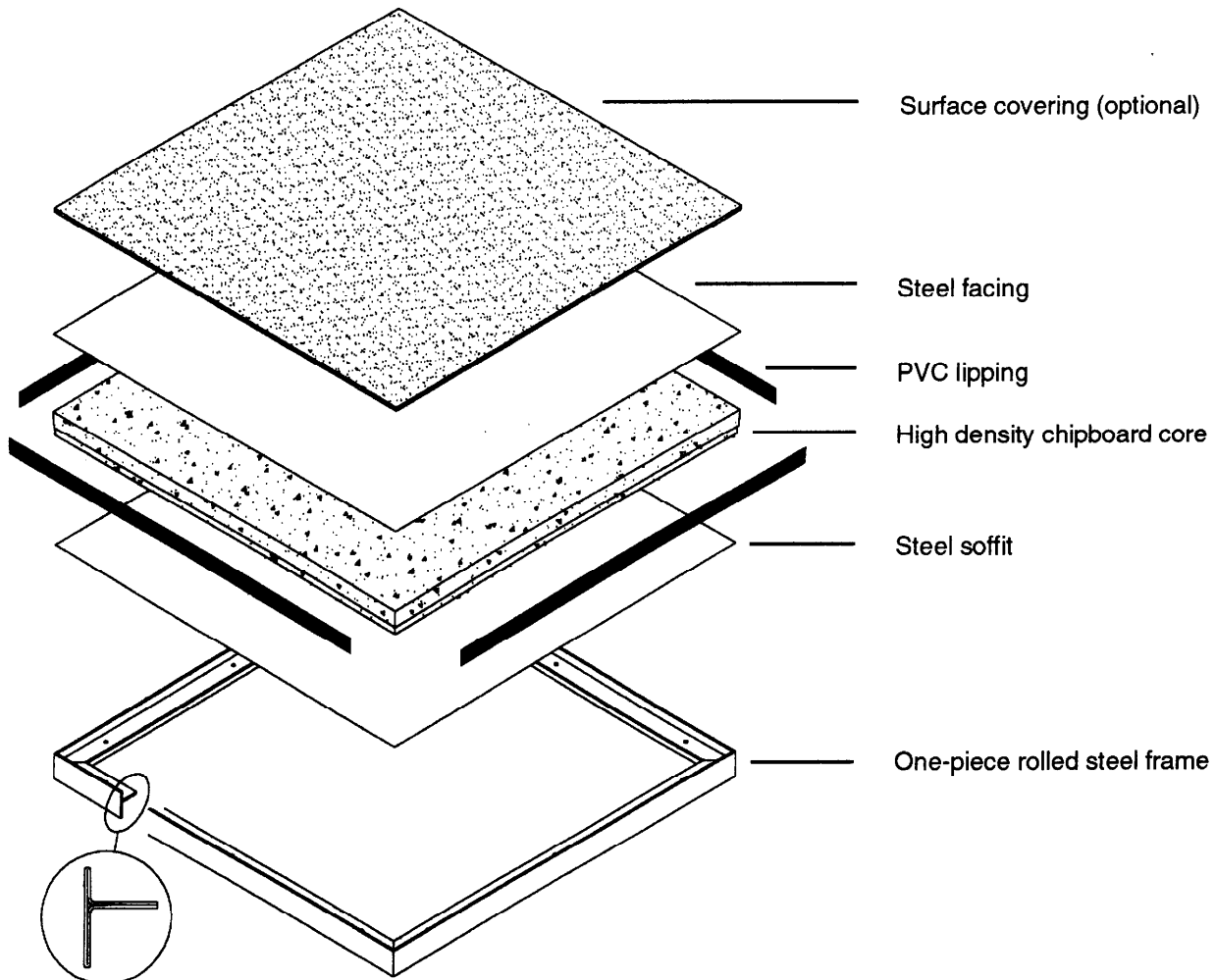
Atlas Access Floors

Twyford Road
Rotherwas
Hereford HR2 6FL
England

Tel: 01432 353003
Fax: 01432 272050

Product Information

Panel Code GL Range



Application: Heavy and extra heavy duty specification, particularly suitable for deep cavity and rolling load situations.

Design Concept: The unique feature of the GRIDLOCK panel is the one-piece steel frame which interacts with the 'castellated' pedestal head to provide a system of exceptional stability with high resistance to horizontal shunt. Gridlock systems are individually designed, by combining standard components, to meet the needs of the particular end-use. Principal considerations are cavity depth, static and dynamic loads and, in particular, the sideways forces transmitted by starting, braking and manoeuvring motorised pallet trucks.

Dimensions: 600 x 600 x 65mm (excluding surface covering)

Component Description: The frame is cold-rolled steel, formed into a 'T' section, folded and welded to create a rigid one-piece component with continuous corners. It is screw-fixed to the panel soffit and may be combined with a core thickness and steel gauges to suit the application.

Core thicknesses available: 30, 38, 45mm

Steel thicknesses available: 0.4, 0.5, 0.7, 1.00mm

Edge lipping, 0.6mm PVC, tough and resilient, is applied to the panel sides above the frame.

Surface Finishes: Carpet, Vinyl, Linoleum, Marble, Hardwood, Laminate, Ceramics, *Studlock* system.

Accessories: A full range of complementary products is available to complete the installation.

Atlas

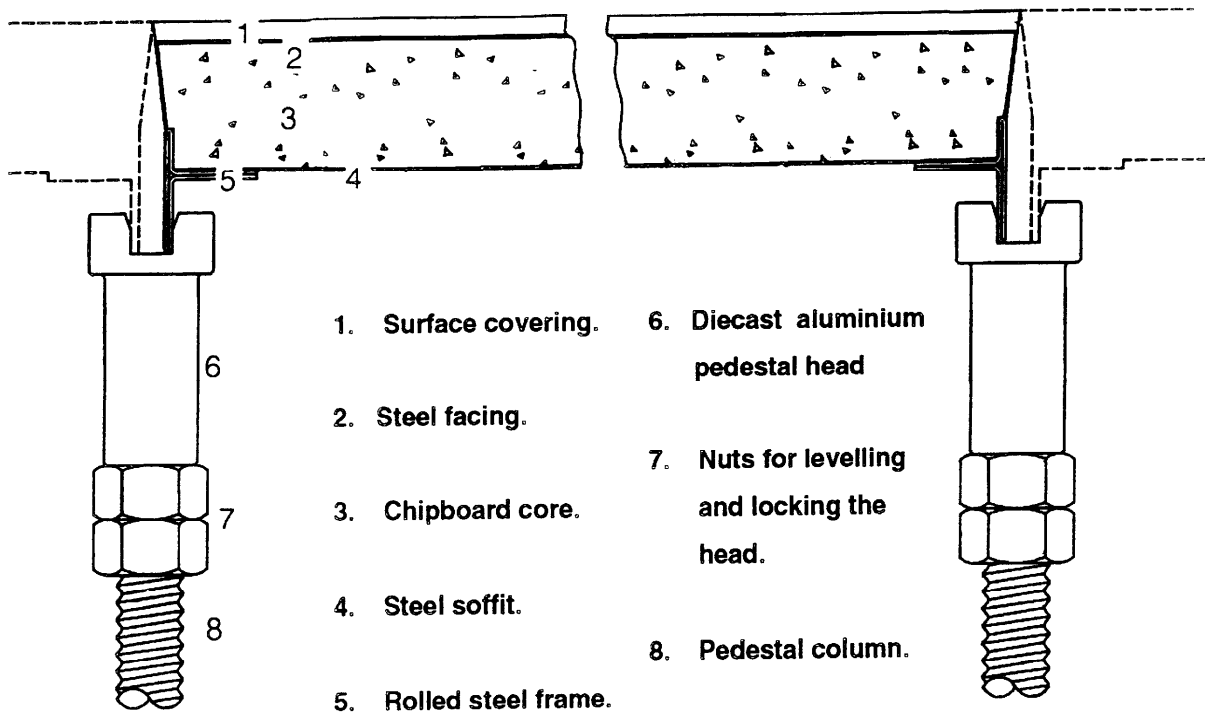
Atlas Access Floors

Twyford Road
Rotherwas
Hereford HR2 6FL
England

Tel: 01432 353003
Fax: 01432 272050

Product Information

System Code Gridlock



GRIDLOCK is particularly suitable for deep cavity, heavy duty applications. It comes into its own even more when there is the added complication of rolling loads, such as motor-driven pallet trucks. No other *instant access* system is able to match the stability and rigidity which are the *hallmarks* of GRIDLOCK.

The relationship between the panel, the frame and the pedestal head is the design feature which renders GRIDLOCK unique in raised floor technology.

The benefits available are:-

- The likelihood of open joints resulting from sideways shunts and horizontal forces is eliminated.
- Large numbers of panels can be removed without destabilising the system. By the same token, small *islands* of GRIDLOCK need no lateral support.
- Superimposed loads are transferred via the frame to the head and axially down the pedestal column, overcoming the weaknesses associated with loading pedestals eccentrically.
- The steel frame, by virtue of its closed (unbroken) corners cannot readily be deformed with everyday use and by abuse.
- Suitable for finished floor heights from 150mm to 1500mm (and beyond, with enhancements to the substructure).
- Vertical adjustment, in conjunction with J range pedestals, is 100mm.

Atlas

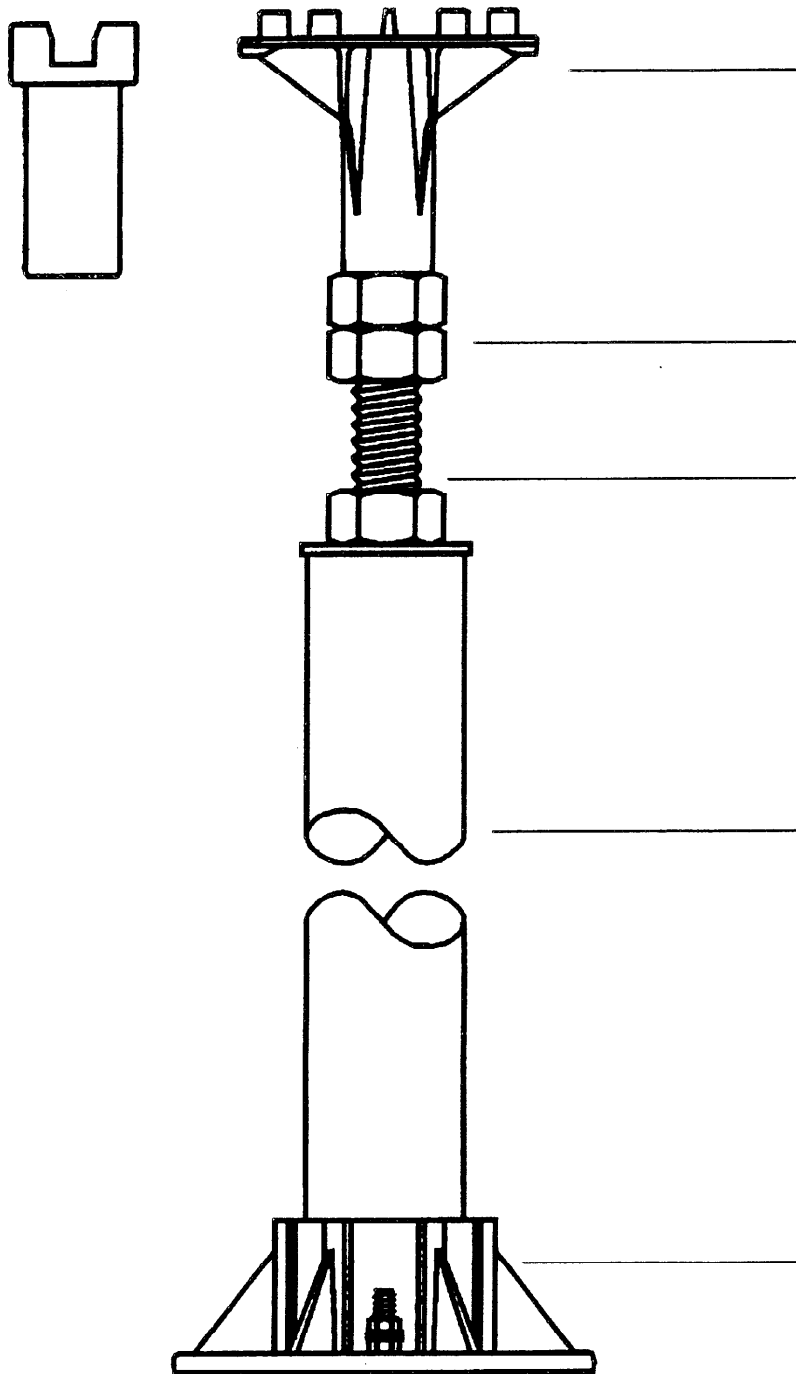
Atlas Access Floors

Twyford Road
Rotherwas
Hereford HR2 6JR
England

Tel: 01432 353003
Fax: 01432 353004

Product Information

Pedestal Code J Range



Head: Diecast aluminium, with 8 No. ribs to locate and align panels. 50mm vertical adjustment.

Alternatively, the assembly can be fitted with the GRIDLOCK head illustrated

Nuts: Heavy duty to level and lock the head

Stud: M20, 150mm long, screwed into and locked against an aluminium diaphragm fixed in the top of the tube. Allows a further 50mm vertical adjustment.

Prop: 54mm diameter tube cut to length. To be secured in the base with epoxy style adhesive.

Base: Diecast aluminium, 113mm dia. with pre-formed holes for 3 mechanical fixings and 1 earth stud (optional)

Suitable for FFH up to 1500. May be used with or without stringers, according to application.