

FORTRESS

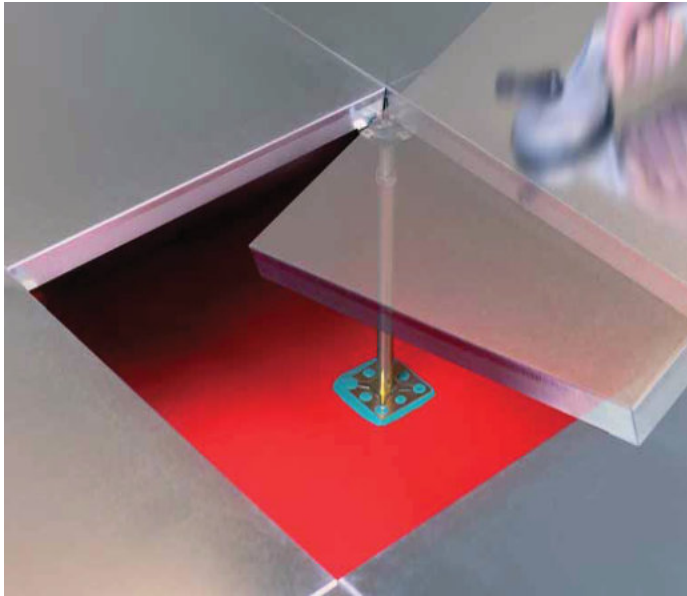
PSA MEDIUM GRADE
RAISED FLOORING SYSTEM

PSA Medium Grade Raised Flooring System

Bare Galvanised Steel Finish

Designed for Modern Offices

25 year Design Life



PERFORMANCE AND TECHNICAL SPECIFICATION

Size	600 x 600 mm
Thickness	31 mm
Weight	10.15 Kg per panel
Point Load	3.0 kN
UDL	8.0 kN
Safety Factor	3
System Heights	60 mm to 1200 mm
Panel Coating	Galvanised Steel
Steel Thickness	0.5mm
Certification	PSA MOB Medium Grade BSEN 12825:2001 Class 4/A/3/1

PRODUCT DESCRIPTION

The FORTRESS raised floor panel is a medium grade steel encapsulated panel which is independently certified to PSA MOB PF2 PS/SPU. The panel features a galvanised steel tray and top sheet with a high density chipboard core, ideally suited to a wide range of applications where performance and long life are the primary concerns.

INTERLOCKING FOLDED DESIGN

A unique lid to tray locking system which is reinforced by a mechanical stitching designed to give the panel exceptional strength and integrity. The panels have a galvanised steel bottom tray with a 4mm turned out profile. The steel lid is then rolled around the lower profile creating a locked double layer of steel. This is then mechanically stitched delivering optimum strength and integrity.

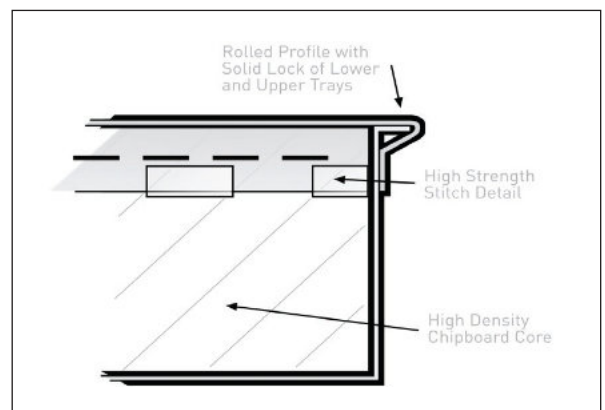
APPLICATION

Primarily designed for demanding modern office environments where access to the void is required. The system when installed delivers a safe working platform which is designed to be overlaid with carpet tiles.

Design life of 25 years for panels and 50 years for support understructure when used in accordance with user manual.



A full range of pedestals and support structure are available for system heights from 60mm to 1200mm



Made in the UK



Unit 4 Enterprise Way Edenbridge Kent TN8 6HF
T: 0800 783 1398

mail: enquiries@accessflooring.com